

1.25 mm [.049] FP Connectors (Continued)

1.25 mm Single-Row Receptacle Headers — Vertical Mounting for Parallel Board Connection

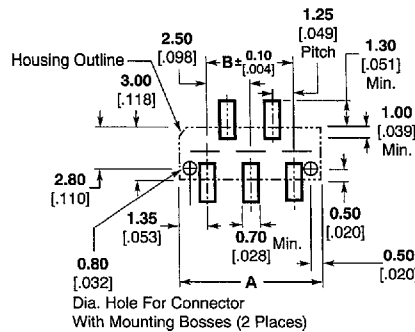
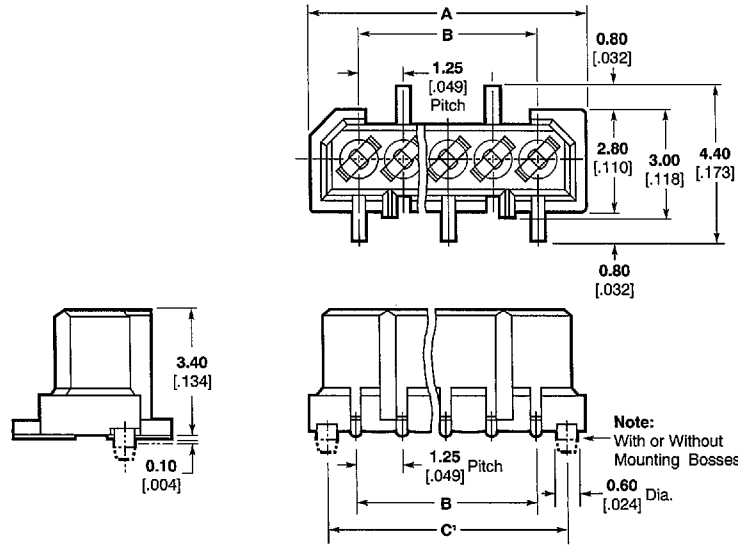
Material and Finish

Housing — Polyphenylene sulfide, black, UL 94V-0 rated

Contact — Phosphor bronze, 0.30 [.012] thick, tin-lead plated

Related Product Data

Mates with — Post Headers, page 112



Recommended PC Board Layout

No. of Pos.	Dimensions			Part Numbers			
	A	B	C'	With Mounting Bosses		Without Mounting Bosses	
				Loose Piece	Reel Mounted ²	Loose Piece	Reel Mounted ²
4	6.45 .254	3.75 .148	5.45 .215	3-174637-4	3-175636-4	—	3-175628-4
5	7.70 .303	5.00 .197	6.70 .264	—	3-175636-5	—	3-175628-5
6	8.95 .352	6.25 .246	7.95 .313	3-174637-6	3-175636-6	—	3-175628-6
7	10.20 .402	7.50 .295	9.20 .362	—	—	—	3-175628-7
8	11.45 .451	8.75 .345	10.45 .411	3-174637-8	3-175636-8	—	3-175628-8
10	13.95 .549	11.25 .443	12.95 .510	4-174637-0	—	—	4-175628-0
17	22.70 .894	20.00 .787	21.70 .854	4-174637-7	—	4-174902-7	—
20	26.45 1.041	23.75 .935	25.45 1.002	5-174637-0	—	—	—

¹"C" dimension used **only** with Receptacle Headers with Mounting Bosses.

²Packaging Quantities, Reel — 1,500 per reel for Positions 4 thru 7, 1,000 per reel for Positions 8 and 10.